

WGH LED SERIES

GLASS WALLPACKS

Cat.#

Job

Type



HUBBELL
Outdoor Lighting

Approvals

Intended Use:

- Perimeter lighting for safety and security. Use on factories, warehouses, self storage, commercial buildings, etc.
- Mid power offers lower glare, better uniformity, higher efficacies (up to 105 LPW) and lower thermals for longer lasting electronic components

Construction:

- Borosilicate glass refractor softens lamp image and provides uniform distribution
- Cast aluminum frame holds lens and seals to housing gasket with two stainless steel screws.
- Door assembly hinges to side on mid-size units; hinges down on large units
- Cast aluminum housing with three 1/2" conduit entries (on top and sides), for button photocontrol or surface conduit
- All units have dark bronze powder paint finish

Electrical:

- Driver RoHS and IP66
- Single, 120V-277V, 50/60Hz driver

COB

- 1 x 41w, 950mA, 87 LPW

Mid Power:

- 110L: 1 X 53W, 140mA, 92 LPW
- 225L: 1 X 97W, 125mA, 105 LPW

Listings:

- Listed to UL1598 for use in wet locations

Operating Temperature:

- -30°C to +40°C

LED:

Chip on board (COB) - Medium Housing

3547 lumens, 5000K, 70 CRI

Mid Power - Medium Housing

110 LEDs, 4888 lumens, 4000K, 80 CRI

Mid Power - Large Housing

225 LEDs, 10151 lumens, 4000K, 80 CRI

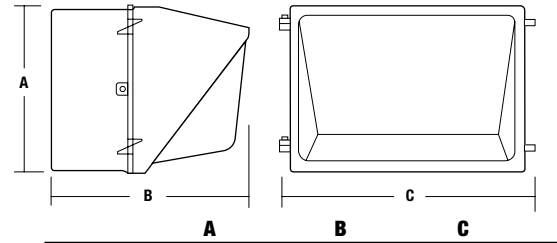
CERTIFICATIONS/LISTINGS



PRODUCT IMAGE(S)



DIMENSIONS



	A	B	C
WGH LED	9"	7 1/4"	13"
M SIZE	229 mm	184 mm	330 mm
WGH LED	9"	13.0"	17"
L SIZE	229 mm	330 mm	432 mm

SHIPPING INFORMATION

Catalog Number	G.W.(kg)/CTN	Carton Dimensions			Carton Qty. per Master Pack
		Length Inch (cm)	Width Inch (cm)	Height Inch (cm)	
WGH-1LU-110	11 (4.9)	13.5 (34)	7.5 (19)	9.5 (24)	2
WGH-225L-4K-U-L	15 (6.8)	18 (45)	11 (28)	9.5 (24)	2

ORDERING INFORMATION

Catalog Number	Wattage	Number of LEDs	Voltage	Dist. Type	Lumens	LPW	CCT	Weight lbs. (kg)	Number of Drivers	LED Current
WGH-1LU-M	41w	1 X COB ¹	120-277V	4	3547	87	5000K	12.0 (5.4)	1	950mA
WGH-110-4K-U-M	53w	110	120-277V	4	4888	92	4000K	12.0 (5.4)	1	140mA
WGH-225L-4K-U-L	97w	235	120-277V	4	10151	105	4000K	12.0 (5.4)	1	125mA

¹ Chip on Board LED

ACCESSORIES/REPLACEMENT PARTS - Order separately

CATALOG NUMBER	DESCRIPTION
PBT-1	Photocontrol, 120V
PBT-234	Photocontrol, 208, 240, 277V
SM106-SHIELD	Polycarbonate Shield for M size
SM708-GUARD	Wire Guard for L size
SM106-FRAME/GLASS	Glass and door frame for M size
SM708-FRAME/GLASS	Glass and door frame for L size



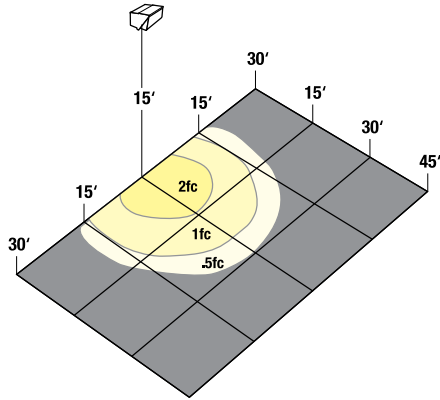
Hubbell Outdoor Lighting • 701 Millennium Boulevard • Greenville, SC 29607 • Phone: 864-678-1000

Due to our continued efforts to improve our products, product specifications are subject to change without notice.

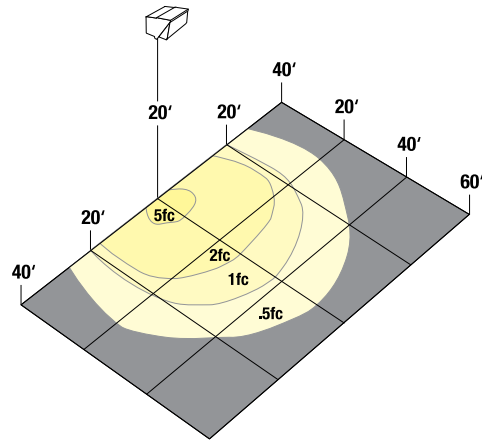
© 2014 HUBBELL OUTDOOR LIGHTING. All Rights Reserved • For more information visit our website: www.hubbelloutdoor.com • Printed in USA

WGHLED-SPEC 10/14

PHOTOMETRICS



WGH-110-4K-U-M



WGH-225L-4K-U-L

PROJECTED LUMEN MAINTENANCE

Ambient Temp.	OPERATING HOURS					L70 (hours)
	0	25,000	50,000	TM-21-11 ¹ L96 60,000	100,000	
25°C / 77°F	1.00	0.98	0.97	0.96	0.95	>791,000
40°C / 104°F	0.99	0.98	0.96	0.96	0.94	>635,000

1. Projected per IESNA TM-21-11 * (Nichia 219B, 700mA, 85°C Ts, 10,000hrs)
Data references the extrapolated performance projections for the LNC-12LU-5K base model in a 40°C ambient, based on 10,000 hours of LED testing per IESNA LM-80-08.

LUMINAIRE AMBIENT TEMPERATURE FACTOR (LATF)

AMBIENT TEMPERATURE		LUMEN MULTIPLIER
0° C	32° F	1.02
10° C	50° F	1.01
20° C	68° F	1.00
25° C	77° F	1.00
30° C	86° F	1.00
40° C	104° F	0.99

Use these factors to determine relative lumen output for average ambient temperatures from 0-40°C (32-104°F).

ELECTRICAL DATA

# OF LEDS	DRIVE CURRENT (mA)	INPUT VOLTAGE (V)	CURRENT (Amps)	SYSTEM POWER (w)
X	STD. (700mA)	120	-	18
		277	-	18
X		120	0.183	22
		277	0.09	22.1
XX		120	0.24	28.9
		277	0.10	27.7
		347	0.10	33.7
XX		480	0.06	28.9
		120	0.35	41.0
		277	0.15	41.5
	120	2.68	32.0	